

## A Quality Solution for Televisions and Appliances

- ❖ Easy installation
- ❖ 180 degree swivel
- ❖ Custom colors available with minimum order
- ❖ Removable plate on Medium Duty versions
- ❖ Precision engineered ball bearing slide system
- ❖ 67lb to 112lb load capacity

**1-800-345-8550**

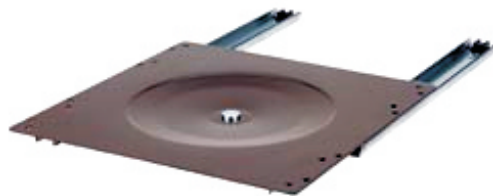
### TV Swivels

(load capacity 67-112lbs\*)  
Prod. Code: TVS

Forward extending and swiveling.  
Smooth running with high stability.

Precision ball bearing slides with a  
reputation of quality and reliability.

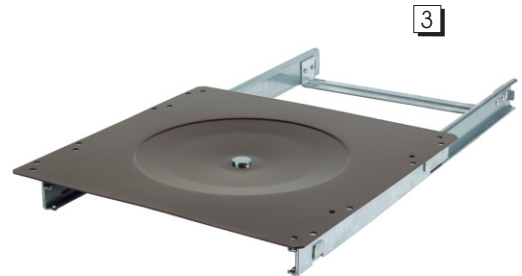
Top plates are 12-5/8" square  
brown epoxy coated



**Model 101**  
(light duty)



**Model 201**  
(medium duty)



**Model 202**  
(medium duty)

- 1** Single-Extension, 67lb/31kg Capacity (extended) with 9" extension
- 2** Single-Extension, 112lb/51kg Capacity (extended) with 9" extension
- 3** Full-Extension, 112lb/51kg Capacity (extended) with 14-1/2" extension

\*Conforms to DIN 68 858 v.05.82

© Copyright 1993-2006 Schock Metal America, Inc.

Rev: 09-28-06

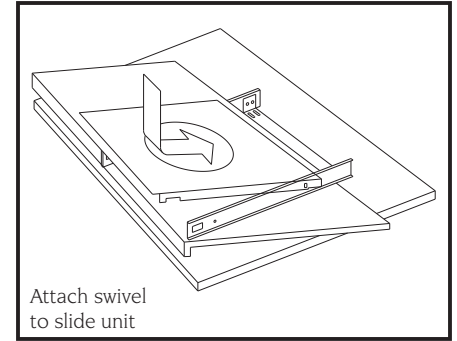
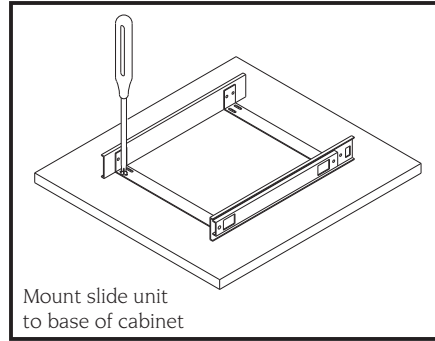
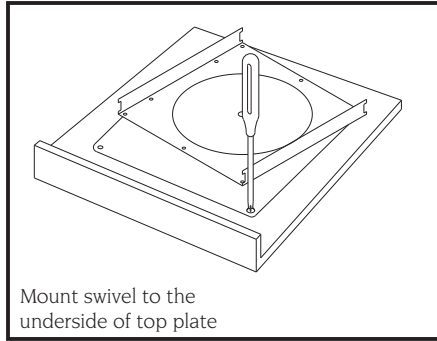
### ORDERING INFORMATION

Part Number	Description	Weight Capacity	Packaging	Shipping Weight
054.18971.SET	Single-Extension, Light Duty TV Swivel	67lbs/31kg	1	8 lbs/4 kg
054.16937.SET	Single-Extension, Medium Duty TV Swivel	112lbs/51kg	1	9 lbs/4 kg
054.17163.SET	Full-Extension, Medium Duty, TV Swivel	112lbs/51kg	1	11 lbs/5 kg

\*\*Also available in bulk packaging

International Division of **SCHOCK** Metall GmbH, Urbach, Germany  
521-A Byron Street, Chesapeake, VA 23320  
Phone: 757-549-8300 Fax: 757-549-8886 Toll Free: 1-800-345-8550  
www.SchockMetal.com Info@SchockMetal.com

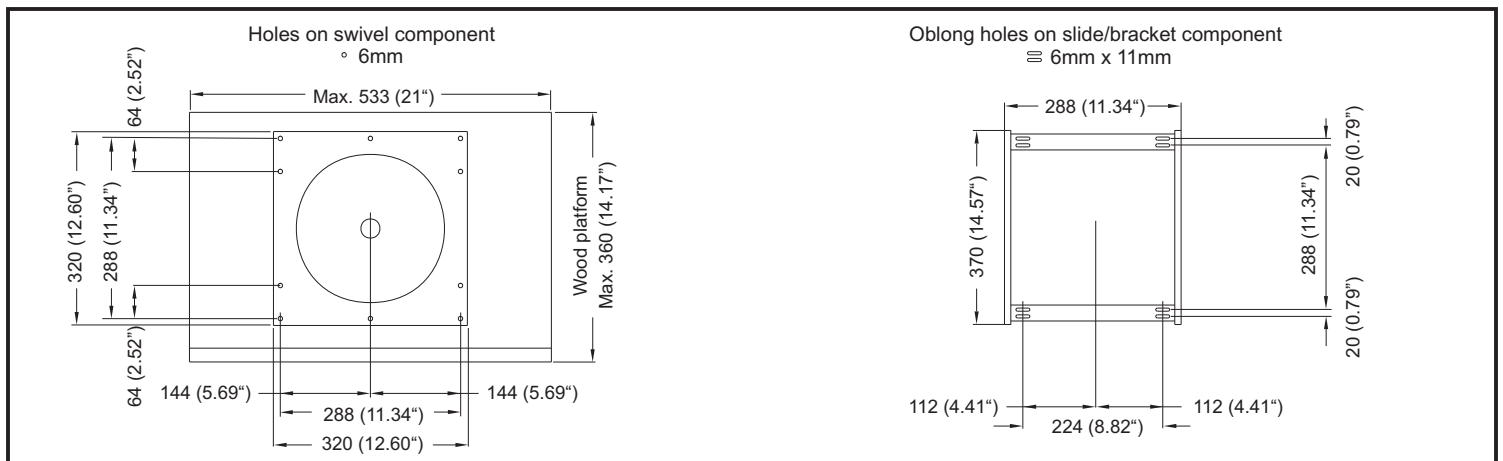
## "Easy-Mount" Mounting Details



## Installation Instruction Notice

For safety reasons, when mounting the bottom bracket unit with slides, a bolt and nut must be used! Mount the bolt through the holes in the brackets and through the bottom of the cabinet platform. Secure bolt with nut on underside. Nuts and bolts not supplied.

## Dimensioning Details



## Section Details

Height of 67lb light duty <b>Model 101</b> is: 23mm (0.905")	Height of 112lb medium duty <b>Model 201</b> is: 47mm (1.85")	Height of 112lb medium duty <b>Model 202</b> is: 50mm (1.968")
--	---	--



### Notes:

- ☐ "Easy-Mount" only available on models 201 and 202

For additional information or a free catalog on our other quality products, please call or visit our web site:

**1-800-345-8550**

Subject To Technical Modifications Without Notice

© Copyright 1993-2006 Schock Metal America, Inc.

**SCHOCK**  
 M E T A L<sup>™</sup>

**Schock Metal America, Inc.**

521-A Byron Street  
 Chesapeake, VA 23320

Toll Free 800 - 345 - 8550  
 Phone 757 - 549 - 8300  
 Fax 757 - 549 - 8886  
 Web Site [www.SchockMetal.com](http://www.SchockMetal.com)  
 Email [Info@SchockMetal.com](mailto:Info@SchockMetal.com)